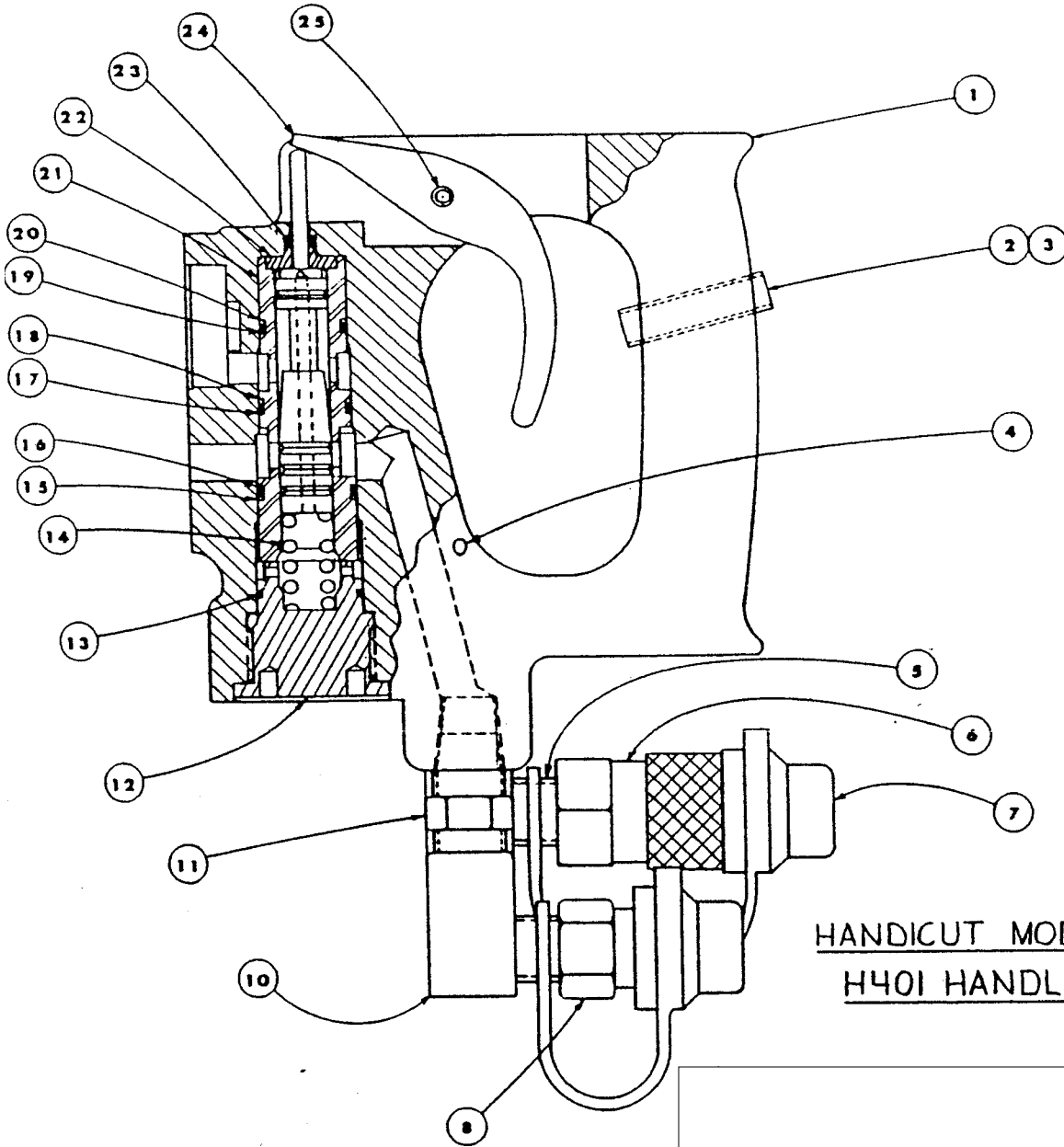


Handicut Model 24HS

H401 - Handle Assembly for Handicut Models 24HS - dwg



HANDICUT MODEL 14H & 20H
H401 HANDLE ASSEMBLY

