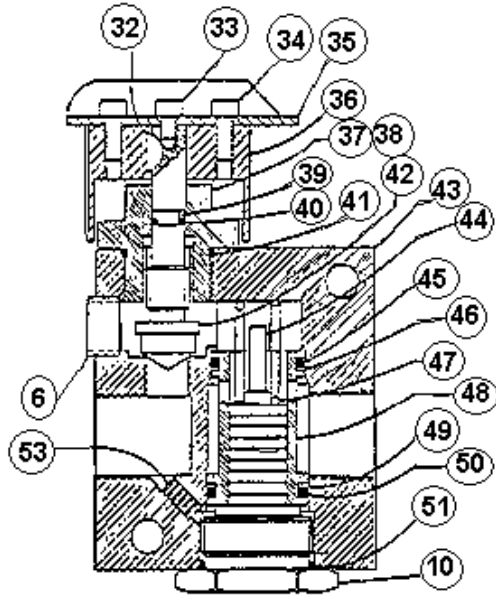
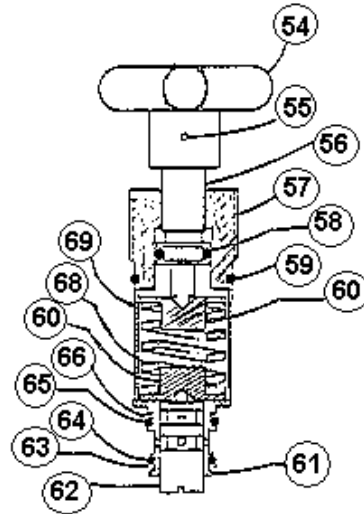


# Hydraulic Wall Saw Control Manifold Assembly

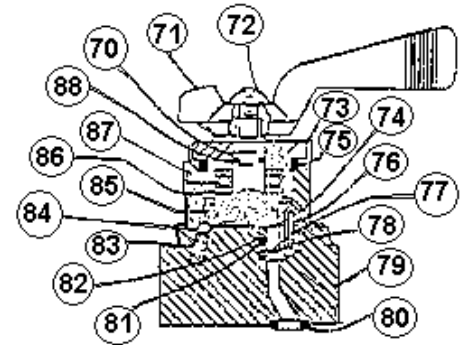
GDM Drawing: H229



Flow Control Valve



Pressure Reducer Valve



Directional Control Valve

