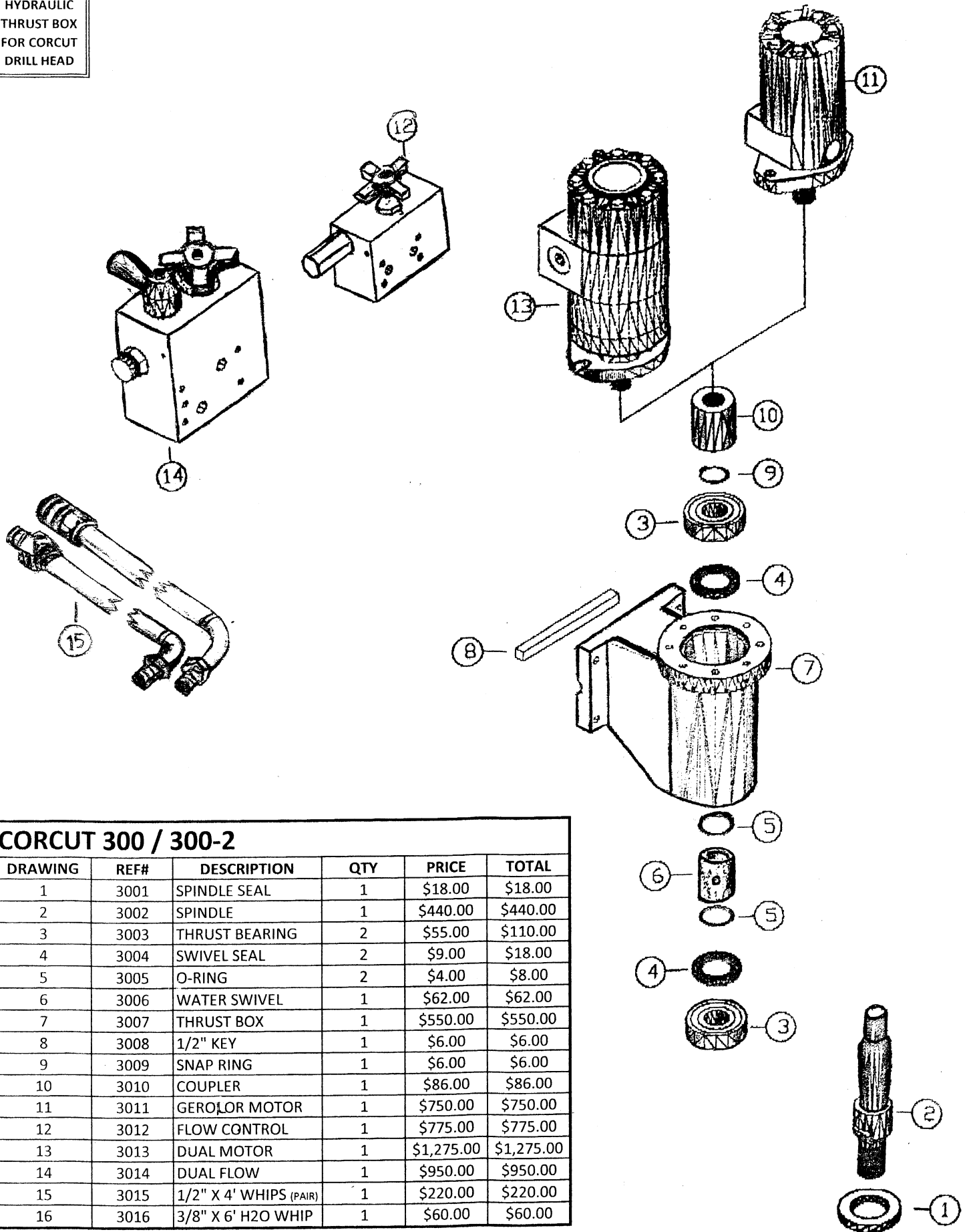


**GDM TEC**  
 HYDRAULIC  
 THRUST BOX  
 FOR CORCUT  
 DRILL HEAD



CORCUT 300 / 300-2					
DRAWING	REF#	DESCRIPTION	QTY	PRICE	TOTAL
1	3001	SPINDLE SEAL	1	\$18.00	\$18.00
2	3002	SPINDLE	1	\$440.00	\$440.00
3	3003	THRUST BEARING	2	\$55.00	\$110.00
4	3004	SWIVEL SEAL	2	\$9.00	\$18.00
5	3005	O-RING	2	\$4.00	\$8.00
6	3006	WATER SWIVEL	1	\$62.00	\$62.00
7	3007	THRUST BOX	1	\$550.00	\$550.00
8	3008	1/2" KEY	1	\$6.00	\$6.00
9	3009	SNAP RING	1	\$6.00	\$6.00
10	3010	COUPLER	1	\$86.00	\$86.00
11	3011	GEROLOR MOTOR	1	\$750.00	\$750.00
12	3012	FLOW CONTROL	1	\$775.00	\$775.00
13	3013	DUAL MOTOR	1	\$1,275.00	\$1,275.00
14	3014	DUAL FLOW	1	\$950.00	\$950.00
15	3015	1/2" X 4' WHIPS (PAIR)	1	\$220.00	\$220.00
16	3016	3/8" X 6' H2O WHIP	1	\$60.00	\$60.00